

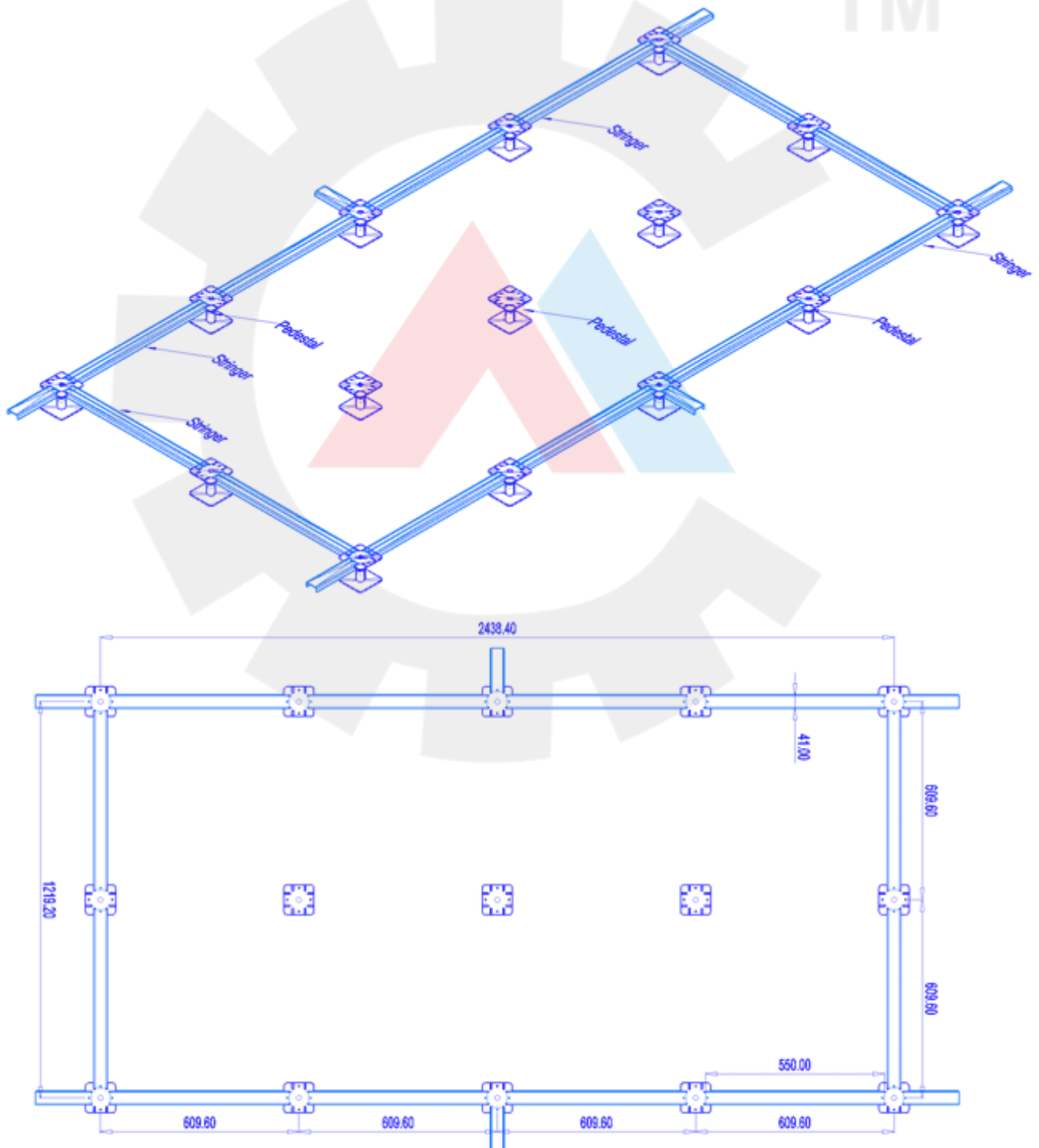
False Flooring System...

We have a highly engineered false flooring system. Our flooring structure with *SHERA*® (Fiber Cement) 15mm Thick boards gives a fast, durable & strong system with easier installation of under floor services.

Our rigid system can be used in Commercial as well as residential projects and the height of the floor can be made from 50mm to 1000mm considering the requirement at site and actual under floor services.

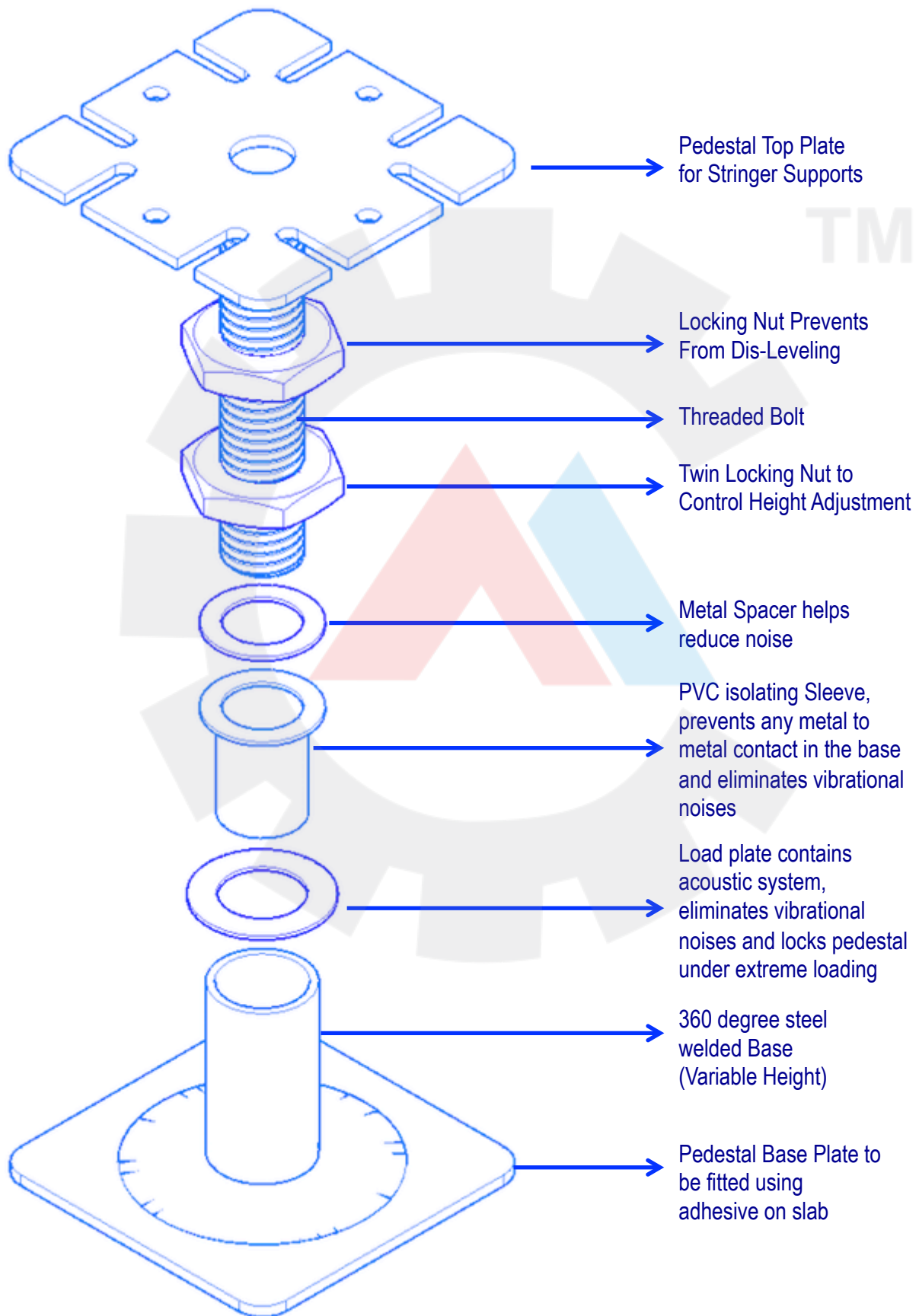
Floor can then be directly carpeted or tiled using adhesive to suit site finish requirements.

Our standard proposed Pedestal spacing is 610mm (2') x 610mm (2') & the cross Stringers fitted at 1220mm (4') x 2440mm (8'), made easy to install the standard size board of 1220mm x 2440mm (8' x 4')



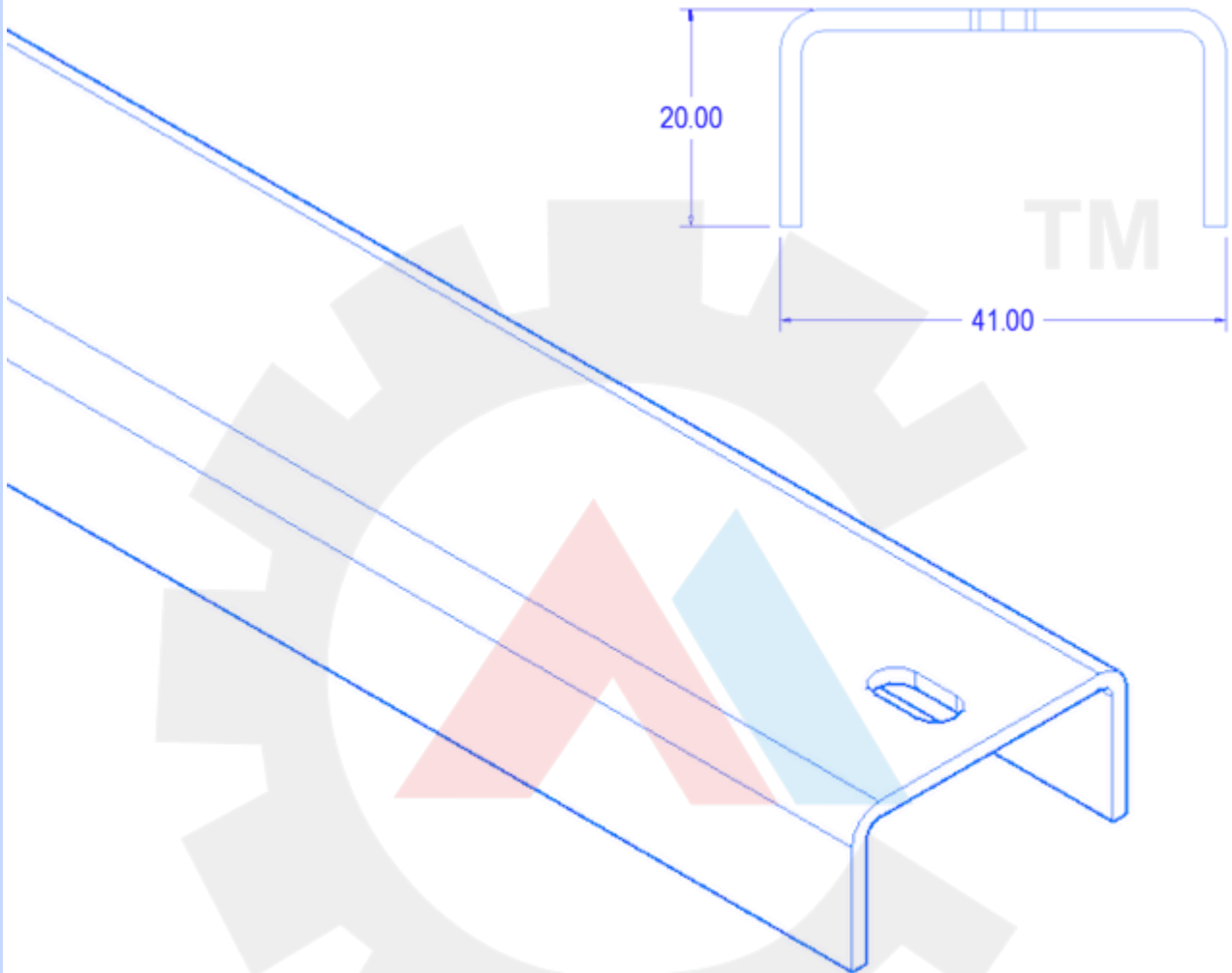
False Flooring System...

Pedestal Assembly...



False Flooring System...

Stringer...



Specification for Pedestal & Stringer :

Material Thickness	:	1.6mm (16 SWG) or 2.0mm (14 SWG)
Finish	:	Hot Dip Galvanized / Electroplated / Pre – Galvanized / Painted
Material Grade	:	IS 2062 / IS 1079 / IS 513
Hardware	:	MS (Electroplated) as per IS 1363
Standard Height of Pedestal	:	50mm to 1000mm
Standard Stringer Length	:	550mm (To Make grid 1220mm x 2440mm i.e. 4' x 8')