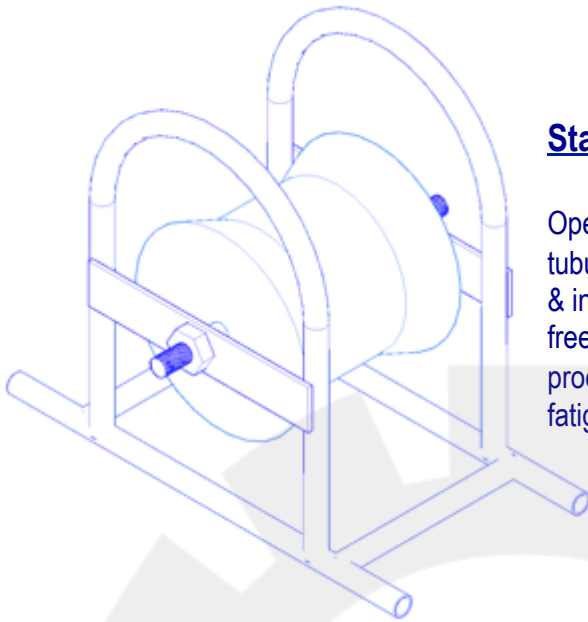


Cable Rollers...

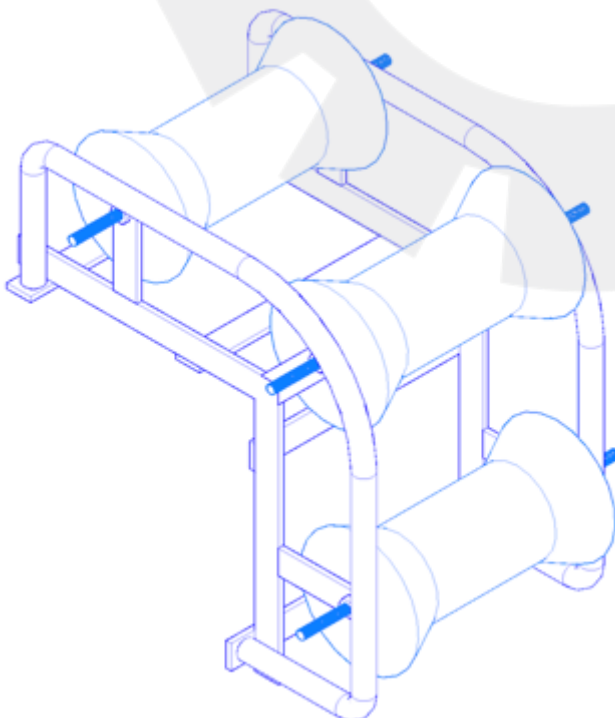
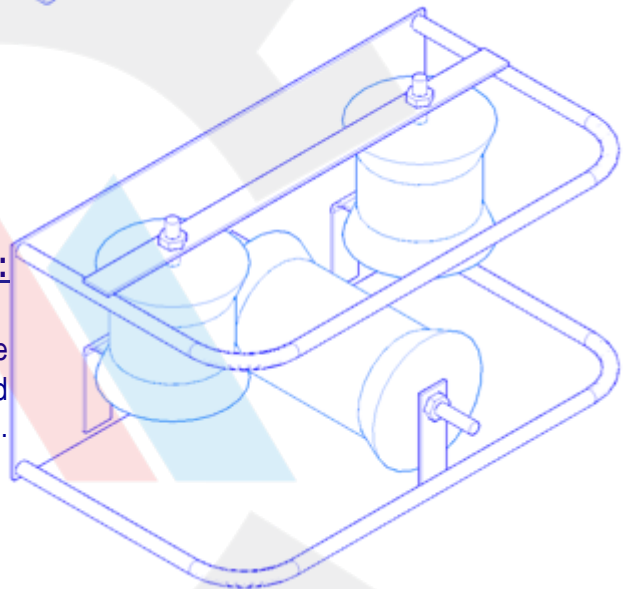


Standard Cable Roller :

Open frame designs of these rollers are made up of tubular steel frame, which allows easy maintenance & inspection. Large Casted Aluminum roller run freely on dust proof bearings. It increases productivity and decreases operator time and fatigue.

Corner Cable Roller :

These are designed using 2 or 3 rollers. These are used on sharp corners while laying cables to avoid any friction and easy fatigue less laying.



Man-Hole Cable Roller :

Designed for placing at the end of manhole or pit entrance to ease the cable in. These are designed using triple aluminum casted rollers mounted with dust proof bearings on tubular steel frame.